

LONKING

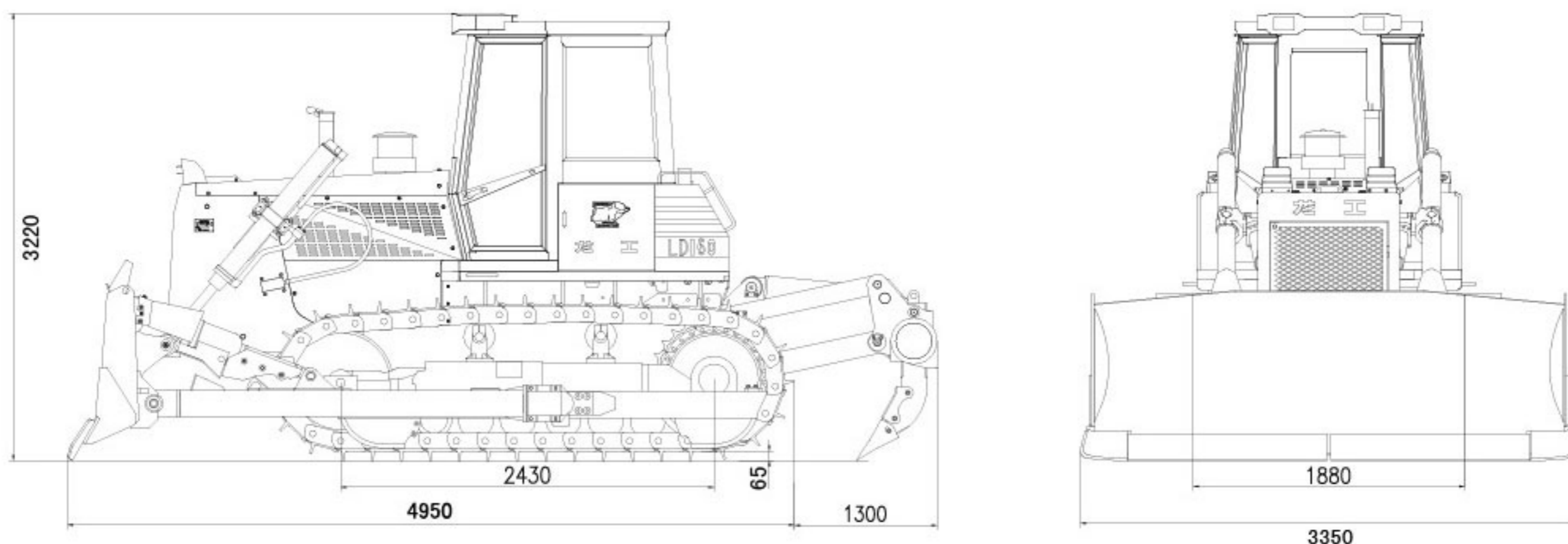
Efficiency Rules the Future

LD160 **Standard Crawler Bulldozer**



Engine:	WD10G178E25
Power:	120kW/1850rpm
Blade Type:	Straight Blade
Operating Weight:	16800kg
Blade Capacity:	4.5m³

LD 160 STANDARD CRAWLER BULLDOZER



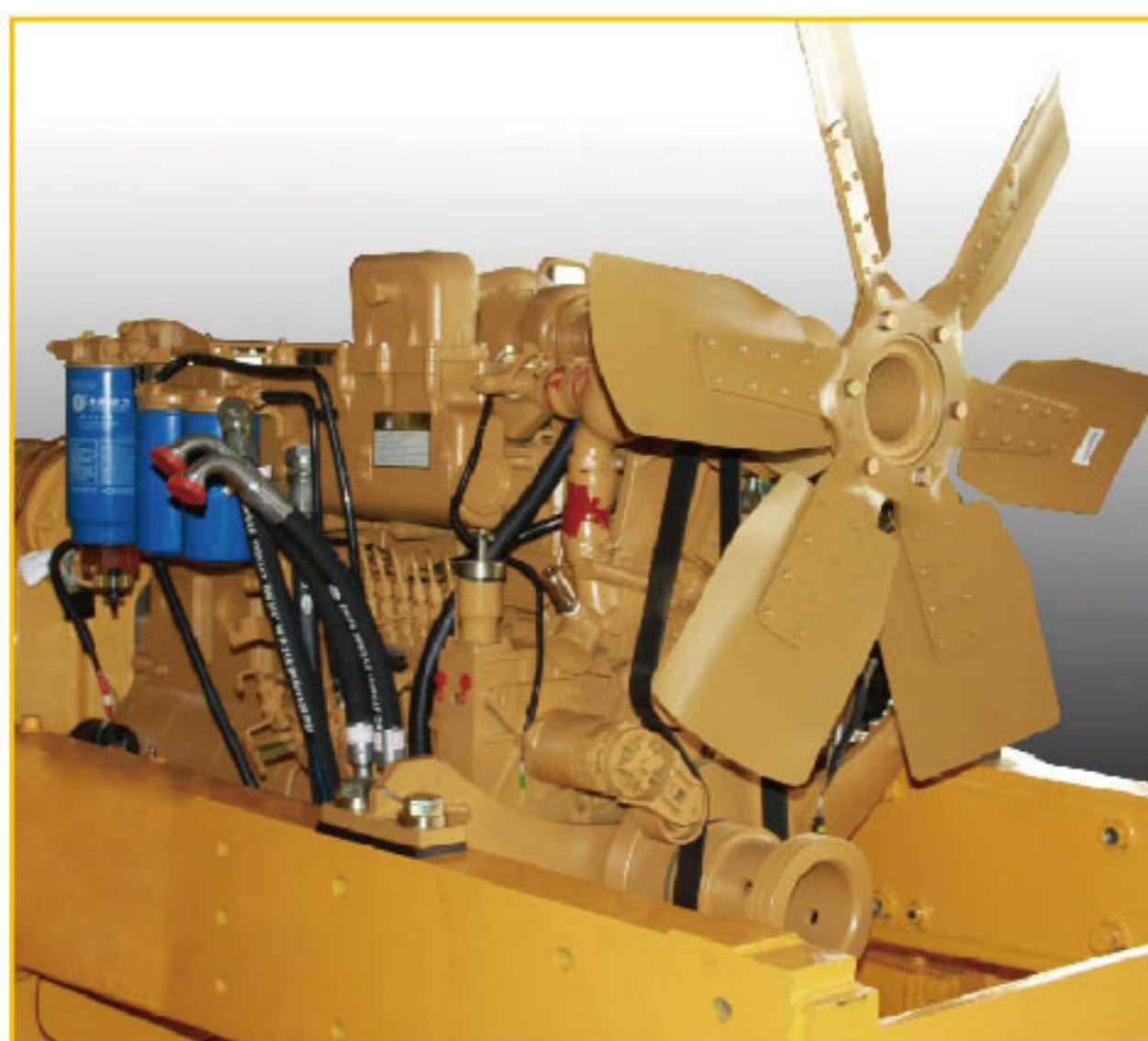
Powerful Power Train System

Overload Protection for Engine

Shorter Operation Cycle Time

Engine

Model	WD10G178E25
Type	Water-cooled, In-line, 4-Stroke, Direct Injection
Rated Power(kW)	120
Rated Speed(r/min)	1850
Number of Cylinders-Bore×Stroke(mm)	6-126X130
Piston Displacement(L)	9.726
Min. Fuel Consumption(g/kW.h)	214
Max. Torque(N)	764
Water Tank Capacity(L)	79
Fuel Tank Capacity()	300



Hydraulic system

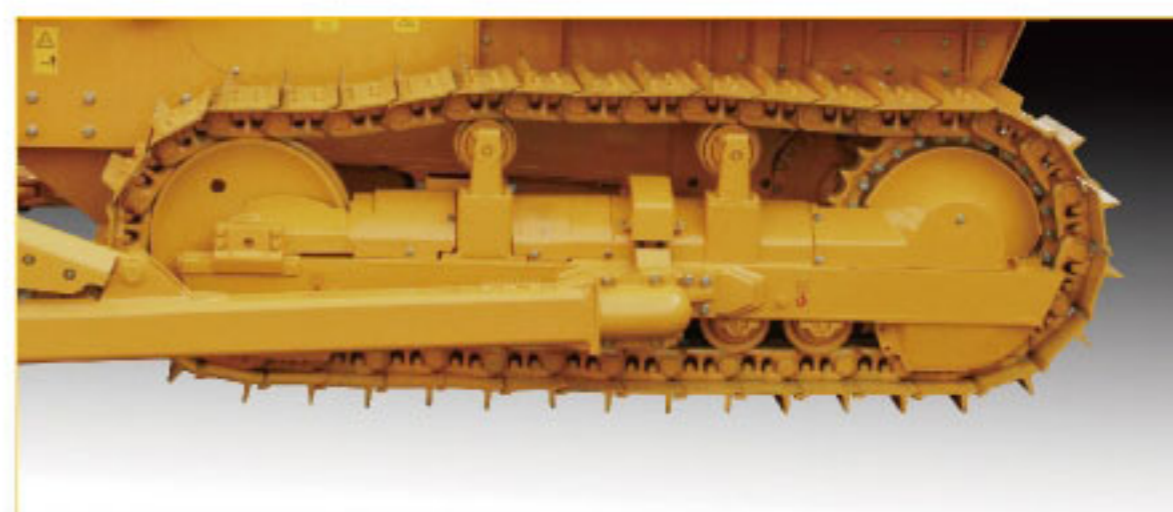
Max. Working Oil Pressure(MPa)	14
Oil Pump Type	Gear Pump
Flow(L/min)	243
Lifting Cylinder of Blade (Bore×Number of Cylinders)	Φ110X2
Tilt Cylinder of Blade (Bore×Number of Cylinders)	Φ160X1
Lifting Cylinder of Ripper (Bore×Number of Cylinders)	Φ160X1

Travelling Speed

Speed of Forward Gears (km/h)	0-3.33
	0-5.89
	0-9.75
Speed of Reverse Gears (km/h)	0-4.33
	0-7.67
	0-12.68

Power Train System

Type	Swing Type of Sprayed Beam Suspended Type of Balance Beam
Number of Carrier Rollers (Each side)	2
Number of Track Rollers (Each side)	6
Track Type	Single Grouser
Width of Shoe(mm)	510/610(Optional)
Length of Track on Ground(mm)	2430



Blade

Blade Type	Straight
Width×Height(mm)	3350X1120
Max. Lifting Height(mm)	1110
Max. Digging Depth(mm)	530
Cutting Edge Angle(°)	55
Max. Tilt(mm)	400



Ripper (Optional)


Type	Three-shank
Max. Penetration(mm)	572
Max. Lifting Height(mm)	492

SHANGHAI LONGTUI MACHINERY CO.,LTD.

Add: 196 Xinrun road, Xinqiao, Songjiang Industrial, shanghai
Tel: +86-21-3760 2000-6321 <http://www.lonking.cc>

Lonking, Lonking CDM Series and their respective logos, as well as corporate identity in this leaflet are trademarks of Lonking Holdings Ltd., and may not be used without written permission.

2013/12



**Standard equipment may vary, consult your local Dealer for details.
Specifications and design are subject to change without prior notice.
Machines shown may not include optional accessories.**